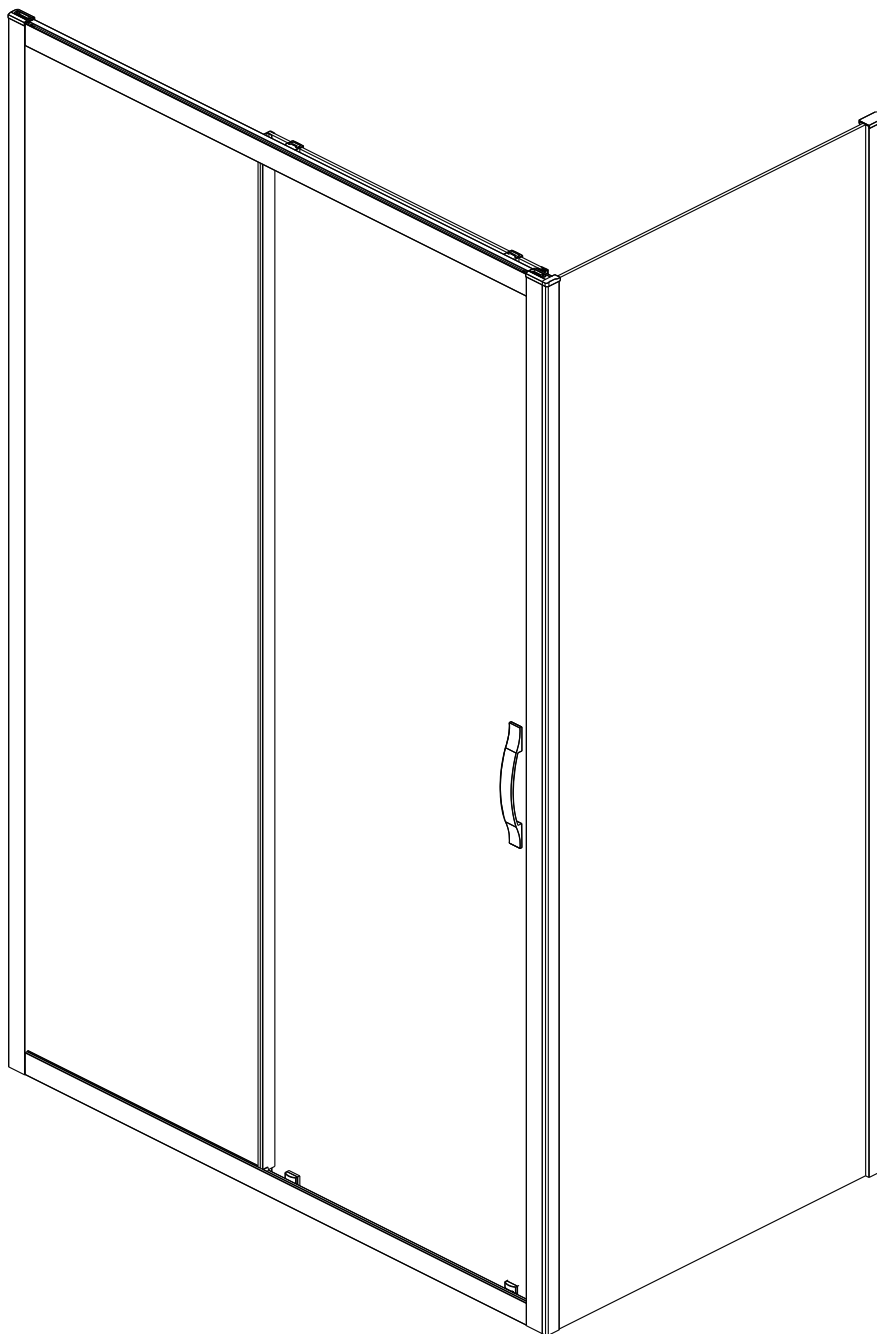


# SIGMASIMPLY

GS3170/GS4370, GS3175/GS4375, GS3180/GS4380  
GS3190/GS4390, GS3110/GS4310



EN14428

Glass shower enclosure  
cleaning efficiency: conforming  
impact resistance: conforming  
operating life: conforming

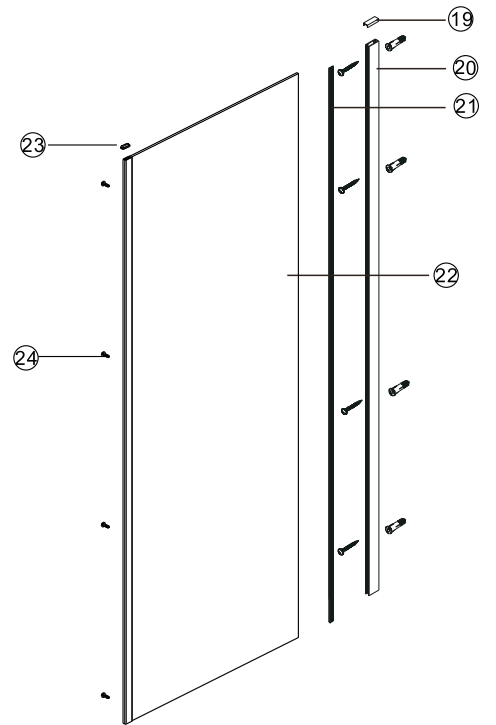
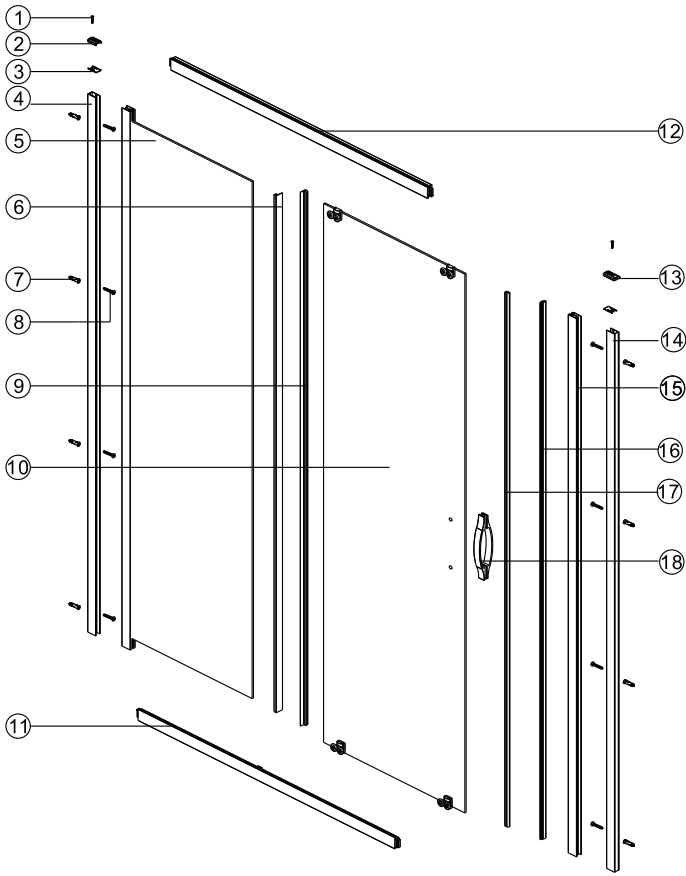
Skleněné sprchové zástěny  
schopnost: vyhovuje  
odolnost proti nárazu: vyhovuje  
životnost: vyhovuje


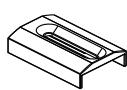

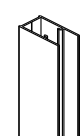
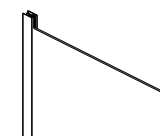
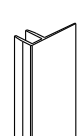
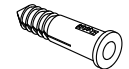
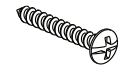

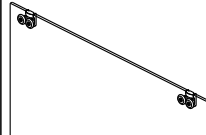
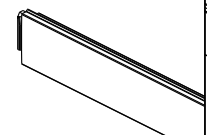
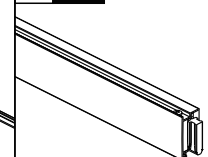

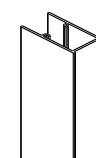
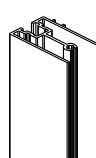
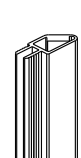
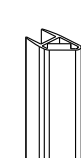

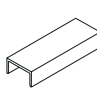


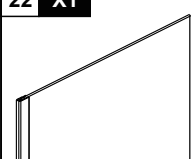
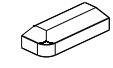

 **GELCO**

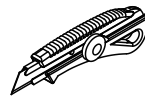
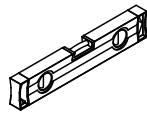
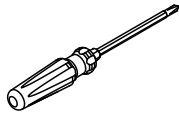
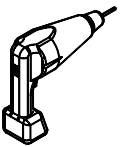
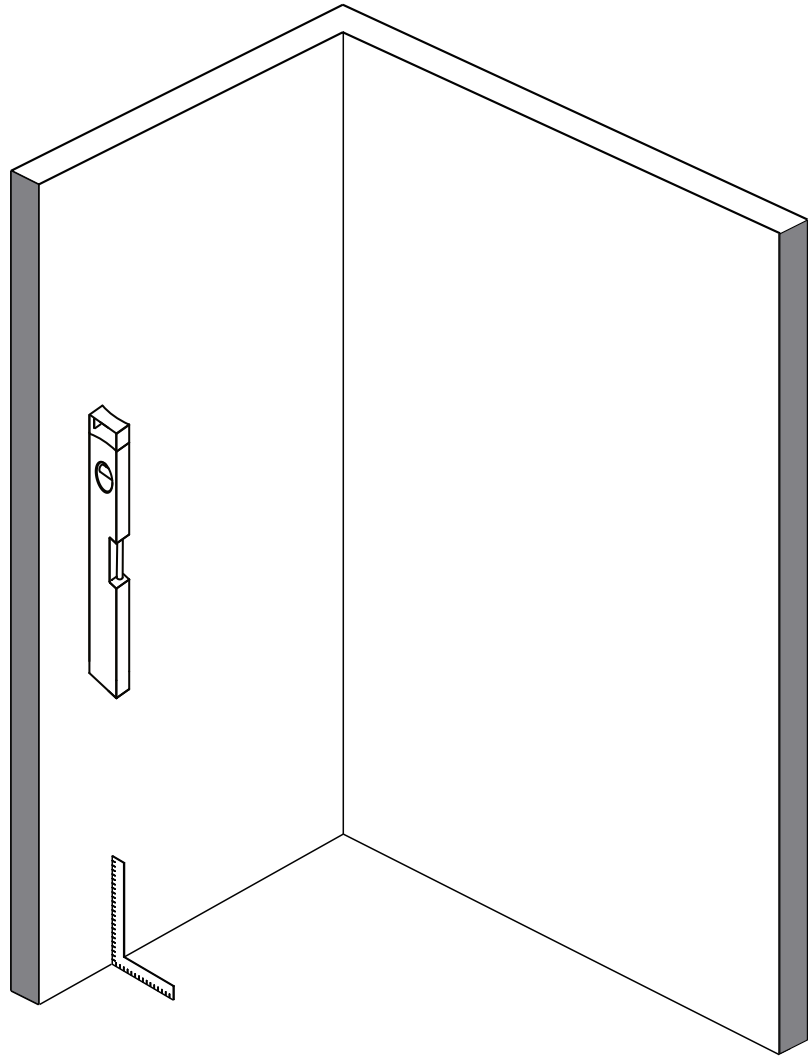
---

GELCO s.r.o., Makovského 1341, 163 000 Praha 6

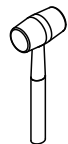
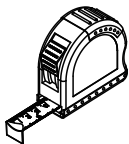
---



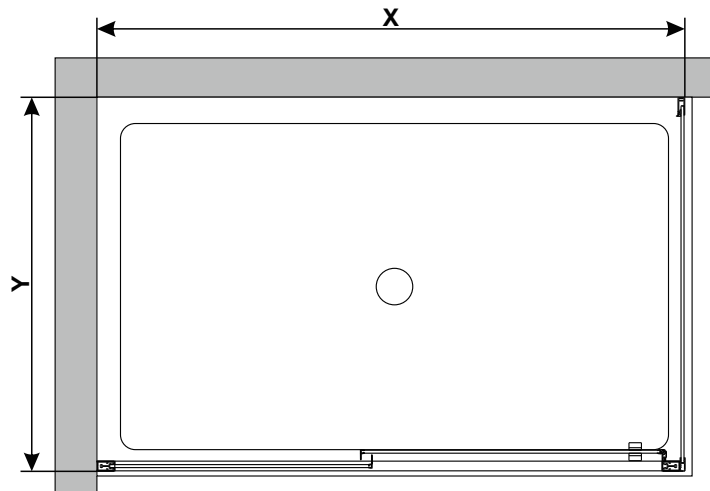
|   |   |  |   |  |  |
|---|---|--|---|--|--|
| 1 X2<br><br>ST4X20 | 2 X1<br>           | 3 X2<br>  | 4 X1<br>   | 5 X1<br>  | 6 X1<br>            |
| 7 X8<br>           | 8 X8<br><br>ST4X40 | 9 X1<br>  | 10 X1<br> | 11 X1<br> | 12 X1<br>           |
| 13 X1<br>          | 14 X1<br>          | 15 X1<br> | 16 X1<br>  | 17 X1<br> | 18 X1<br>           |
| 19 X1<br>          | 20 X1<br>          | 21 X1<br> | 22 X1<br>  | 23 X1<br> | 24 X4<br><br>ST4X10 |



∅ 6mm

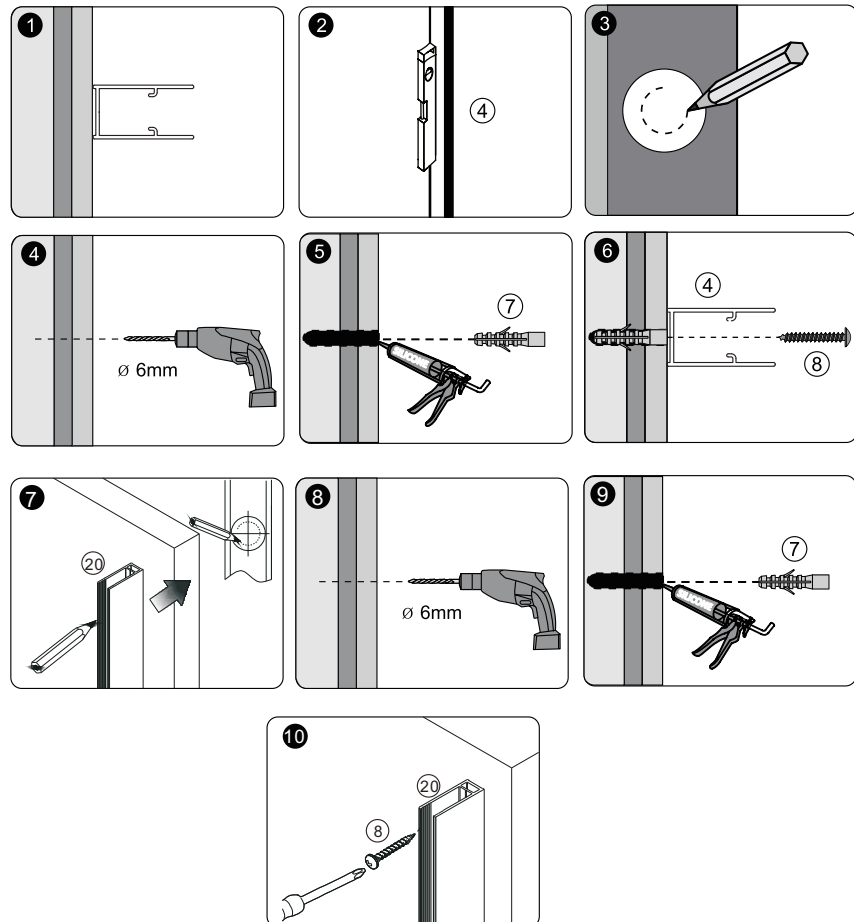
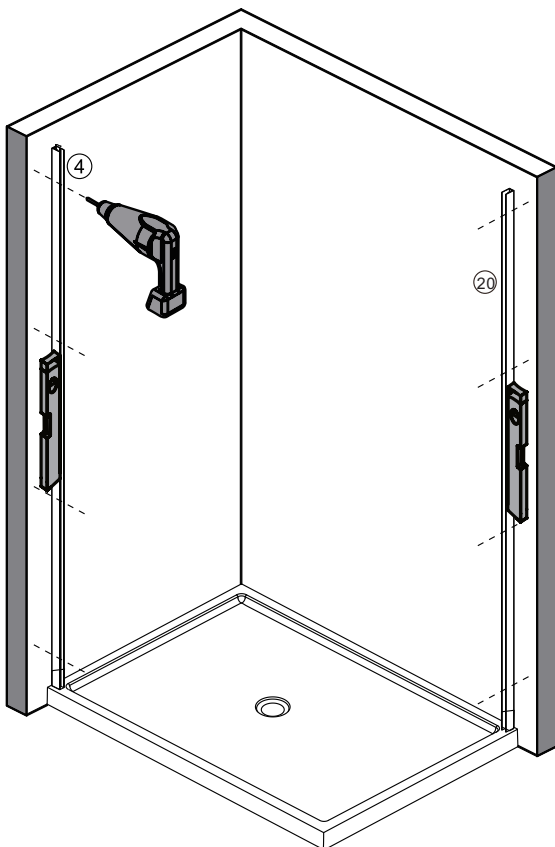


**A** 01

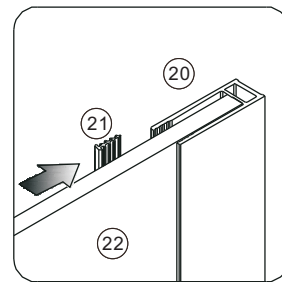
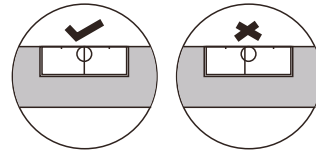
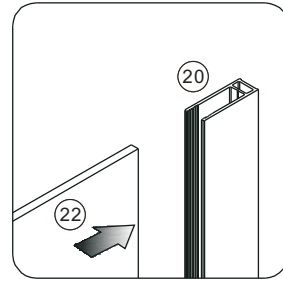
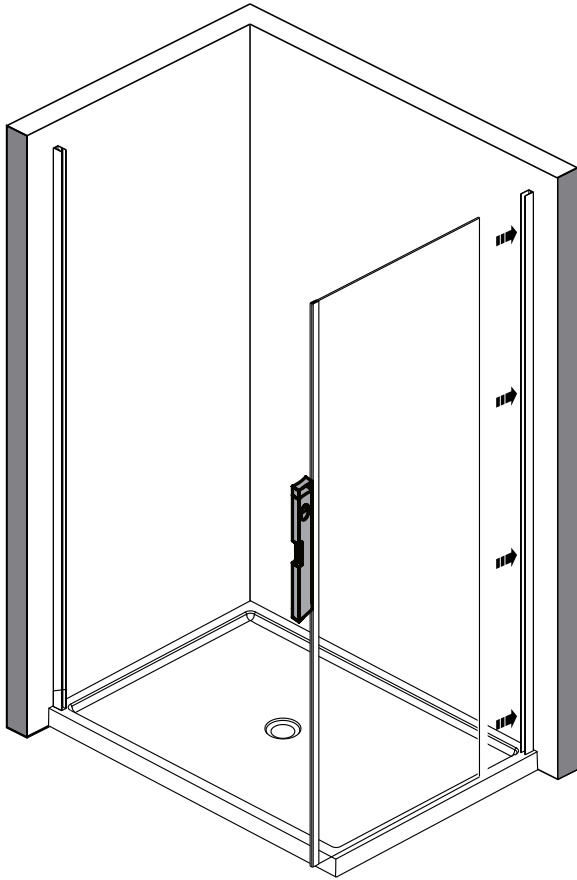


| SIZE      | X,mm      | Y,mm     |
|-----------|-----------|----------|
| 1200X700  | 1180~1220 | 680~700  |
| 1200X750  | 1180~1220 | 730~750  |
| 1200X800  | 1180~1220 | 780~800  |
| 1200X900  | 1180~1220 | 880~900  |
| 1200X1000 | 1180~1220 | 980~1000 |

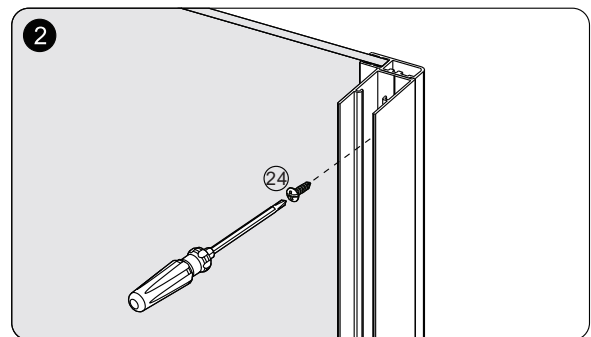
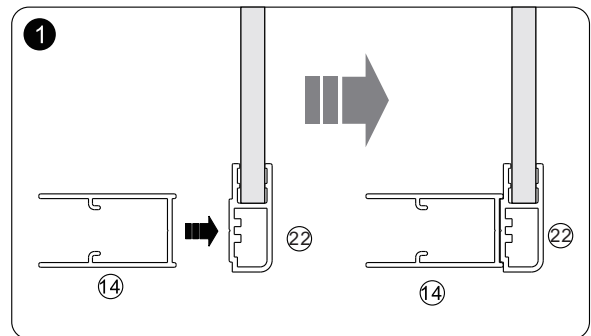
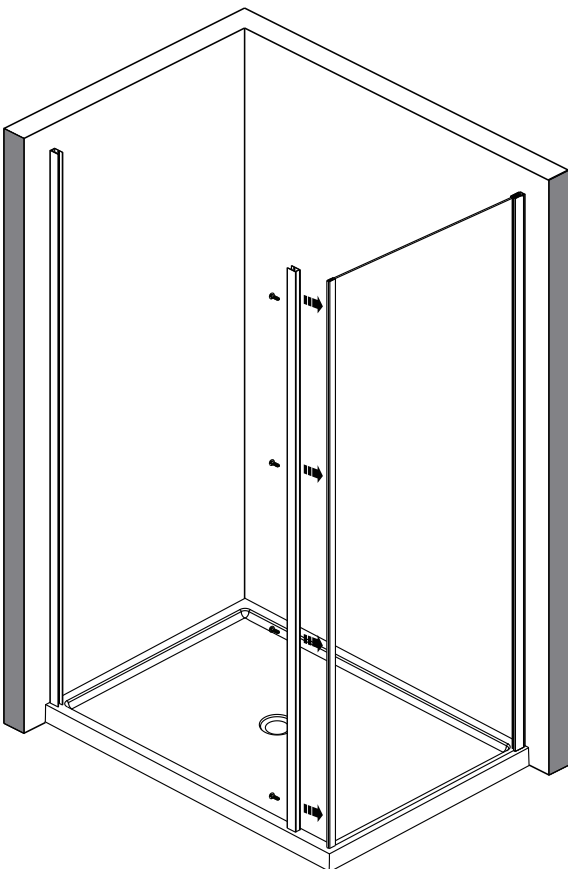
**A** 02



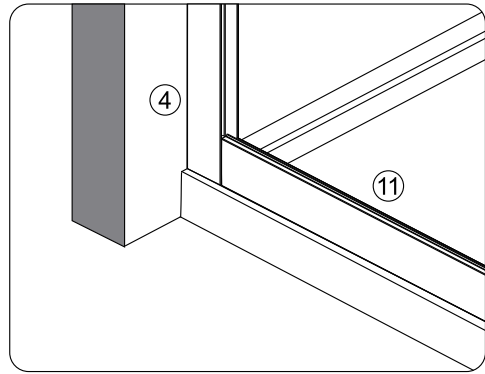
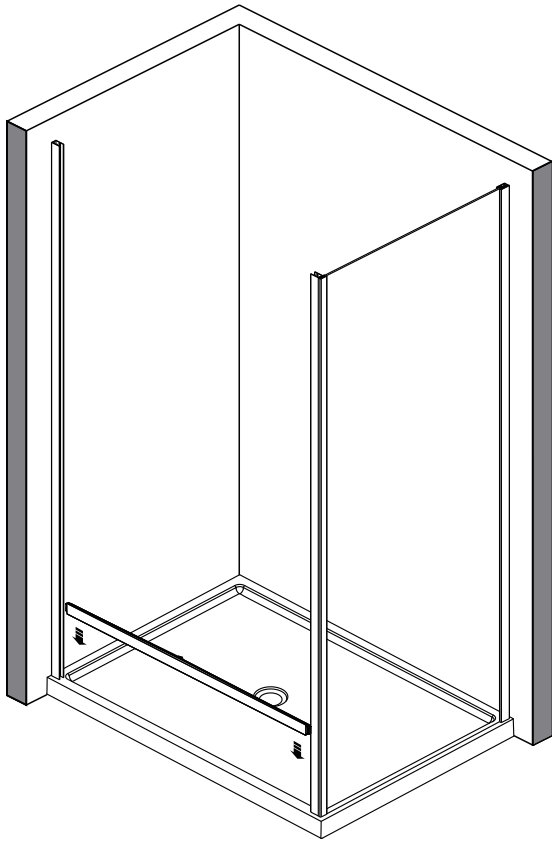
**A** 03



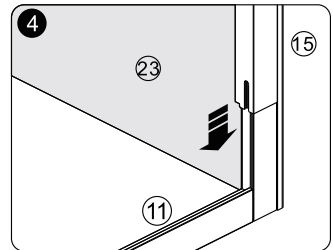
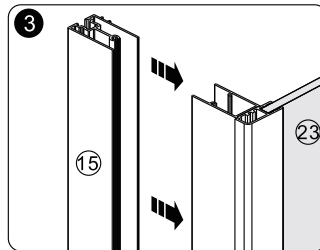
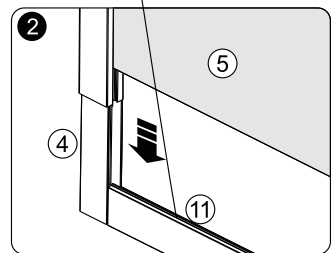
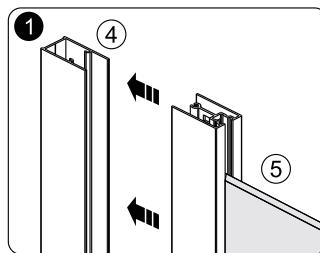
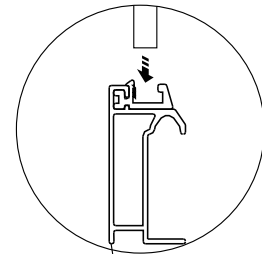
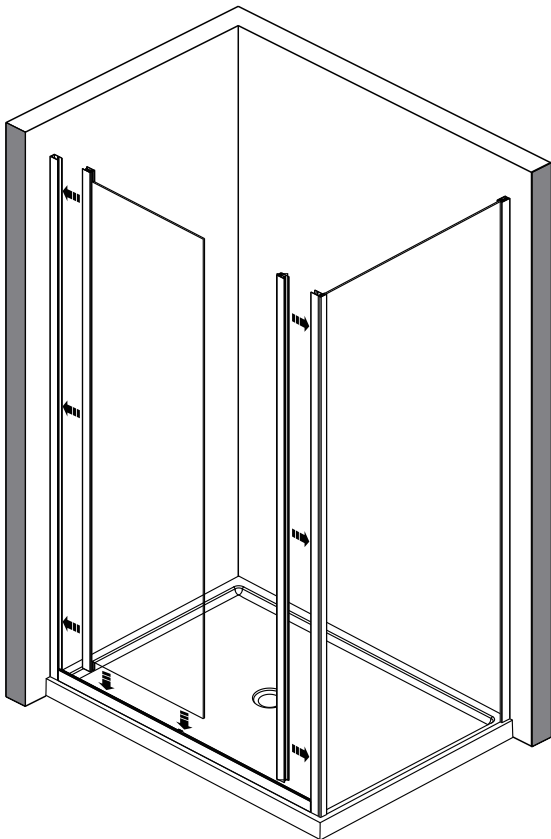
**A** 04



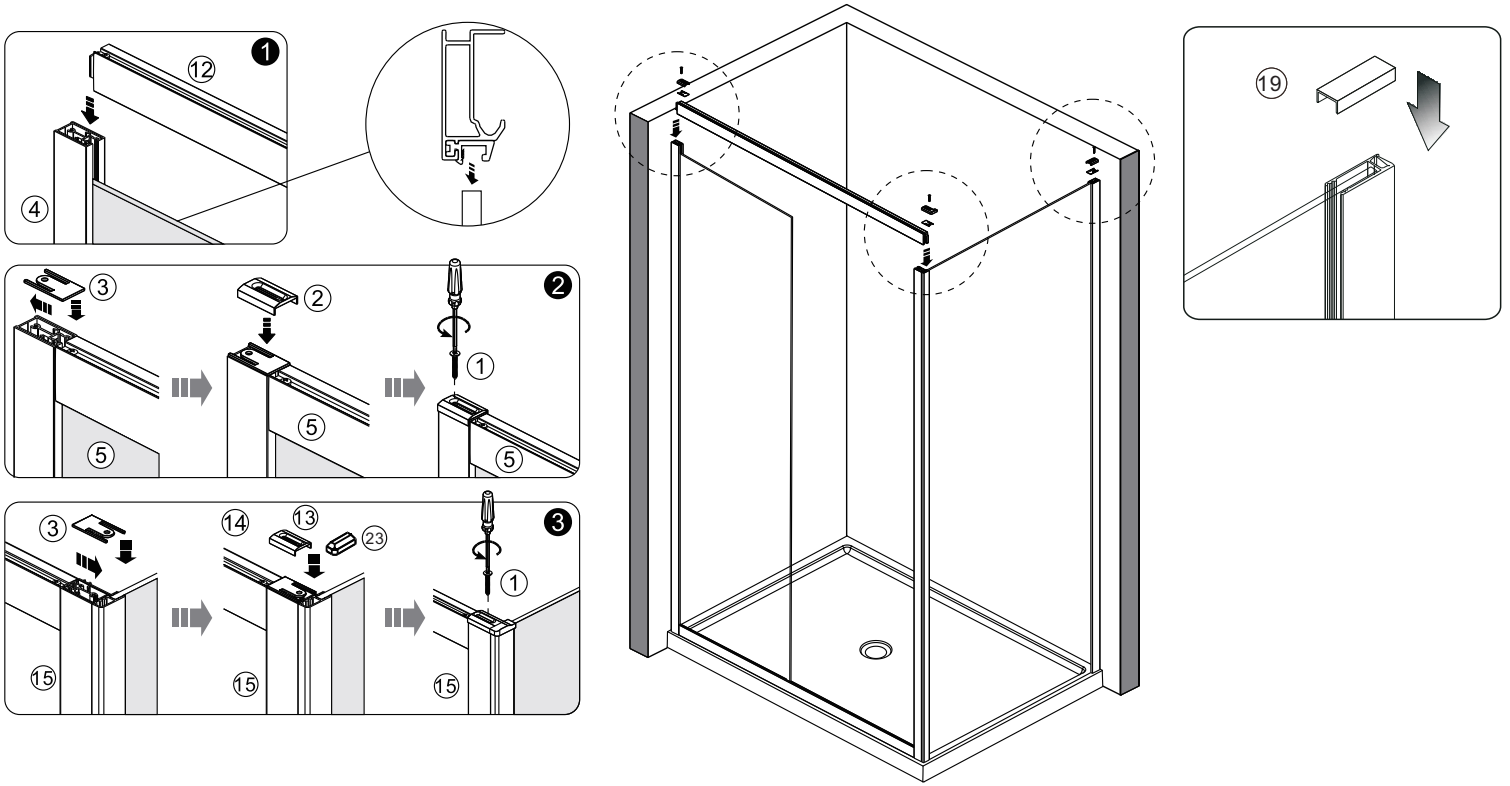
**A** 05



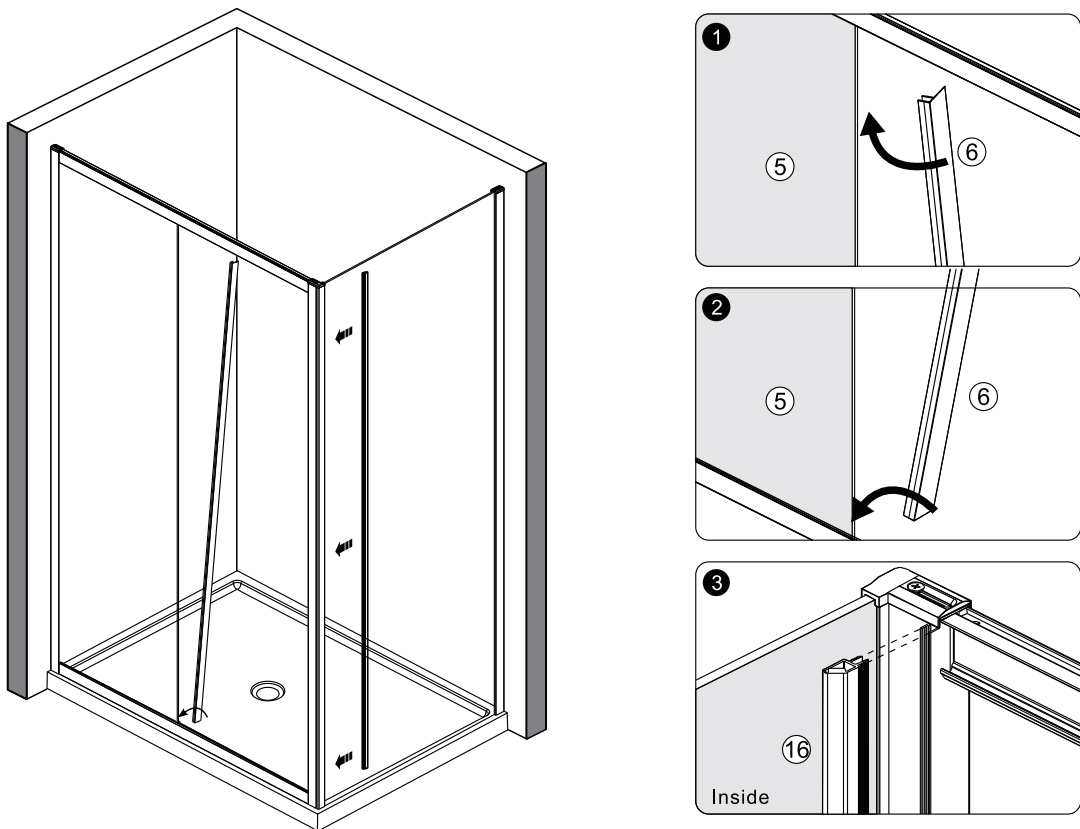
**A** 06



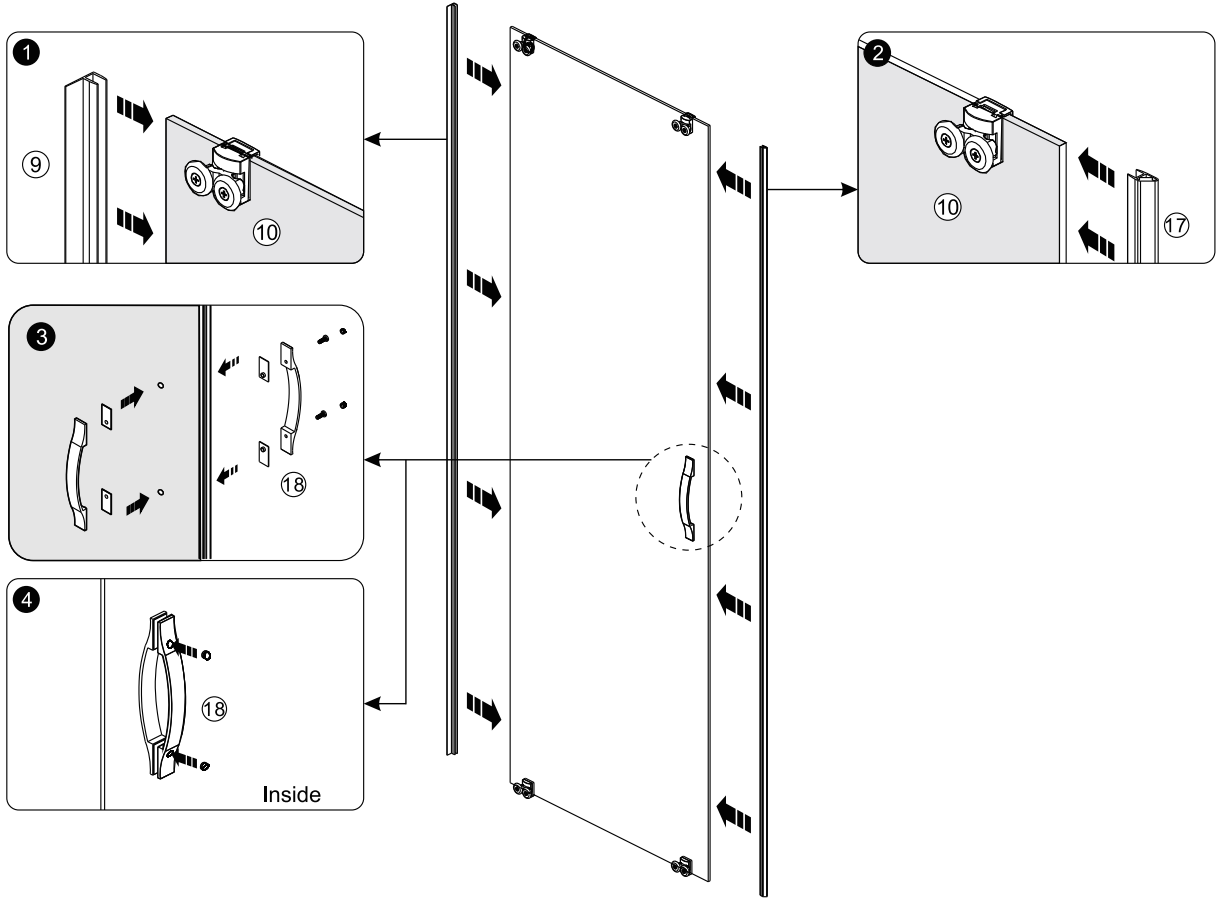
**A** 07



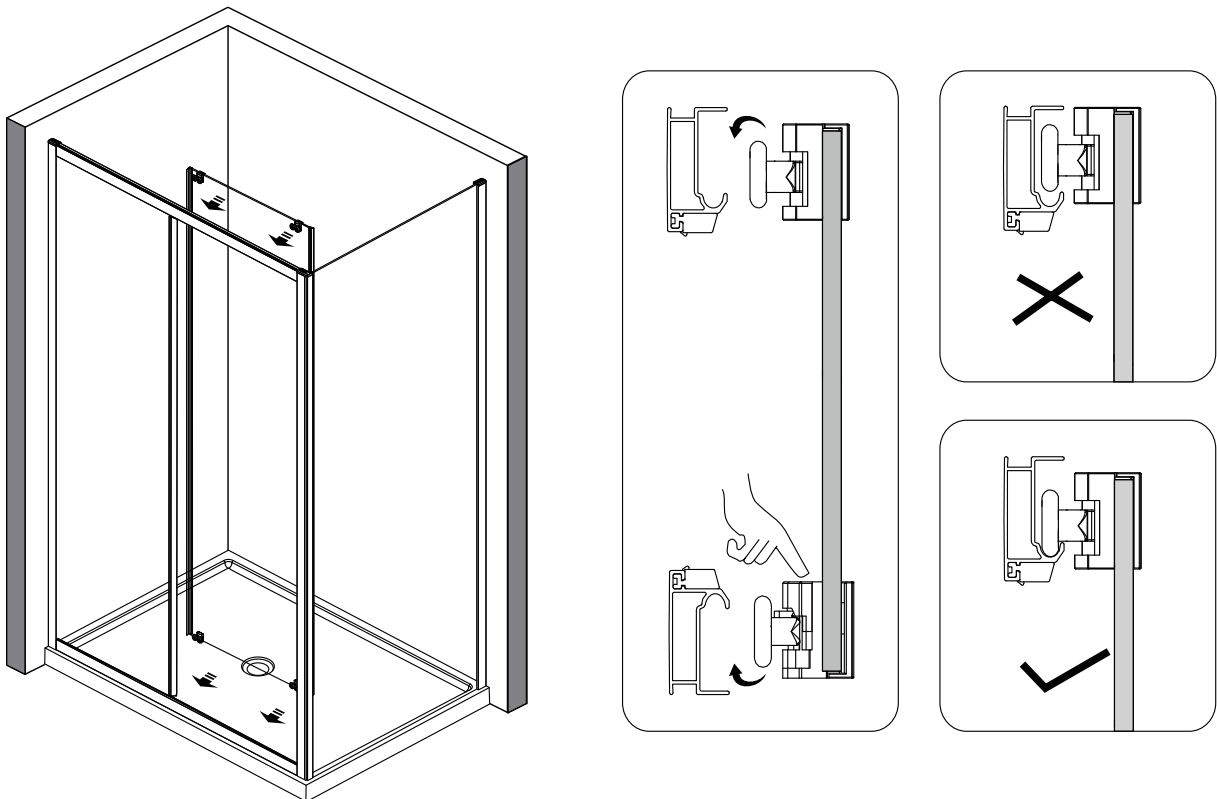
**A** 08



**A** 09

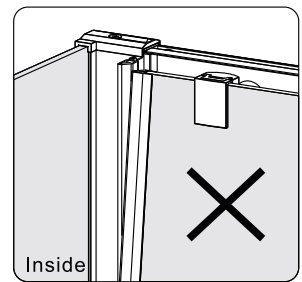
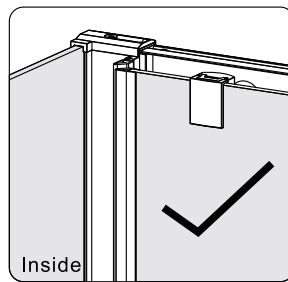
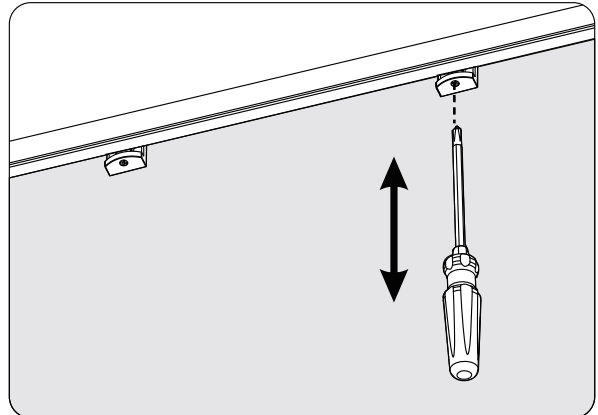
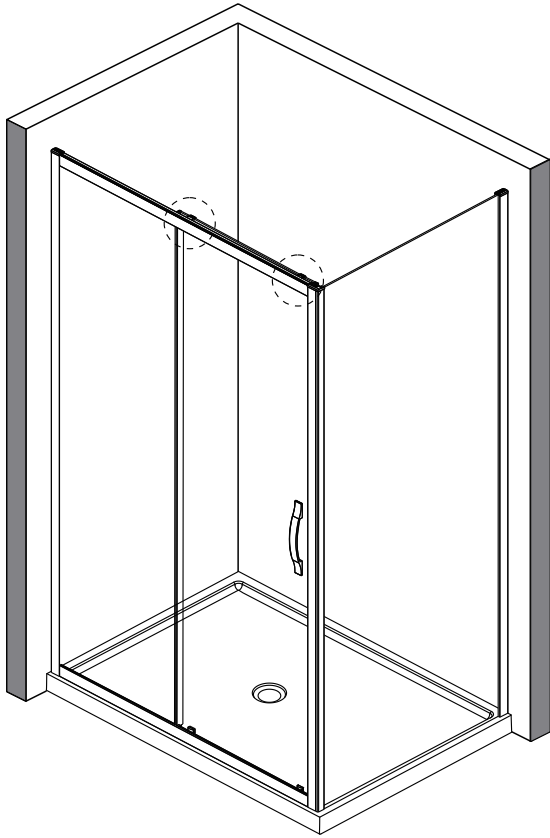


**A** 10





**A** 11



Inside

Inside

**A** 12

