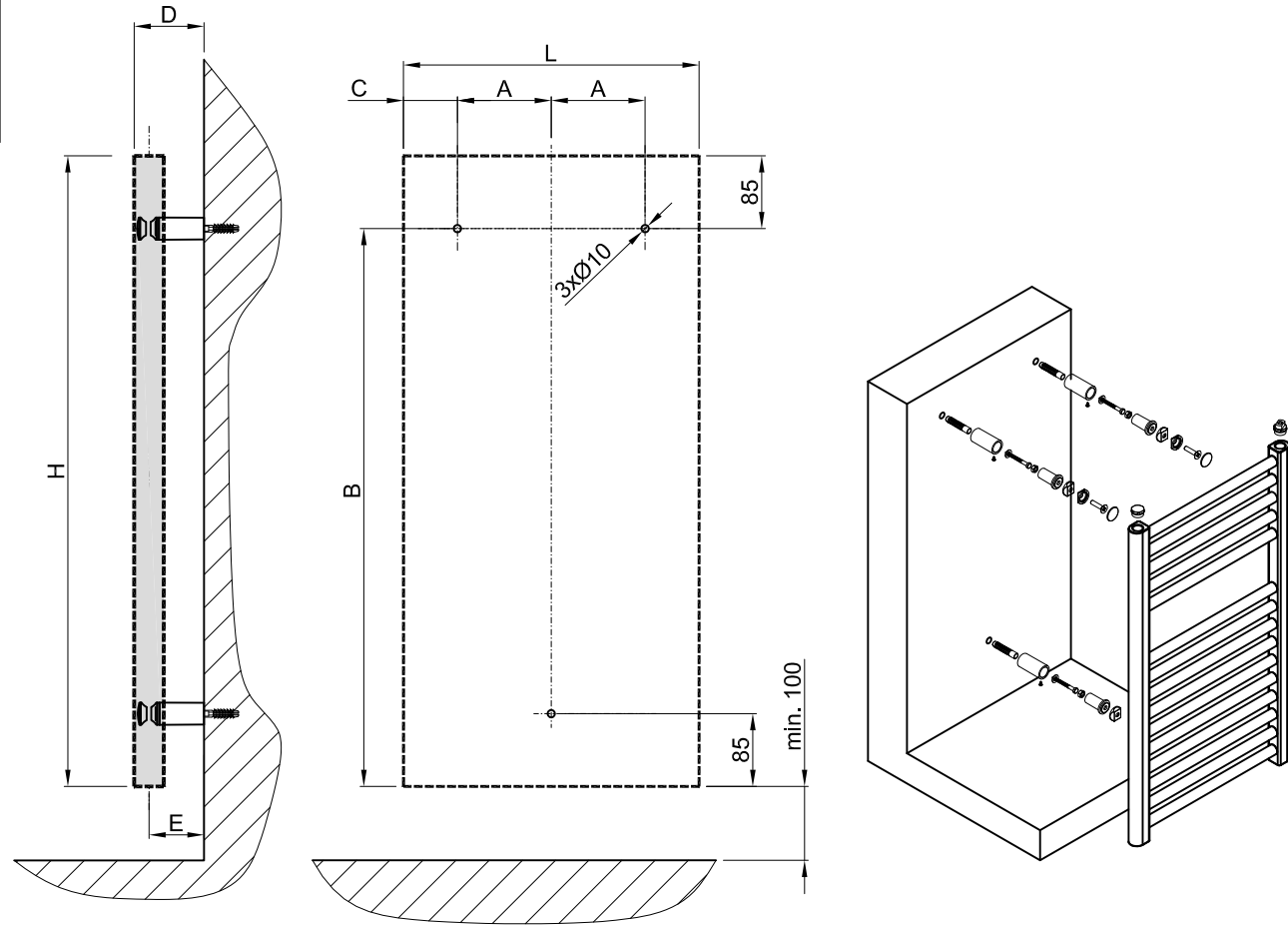
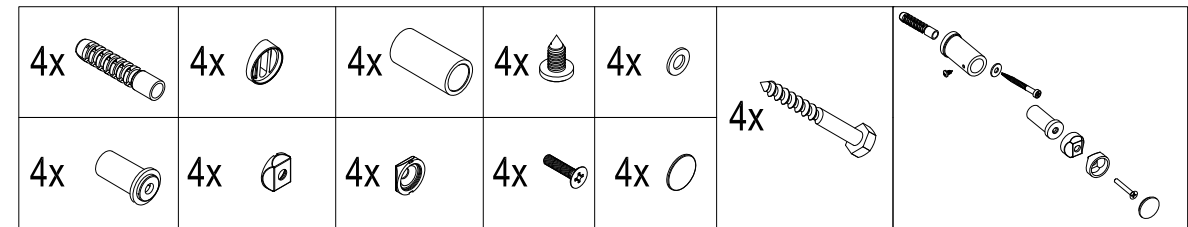
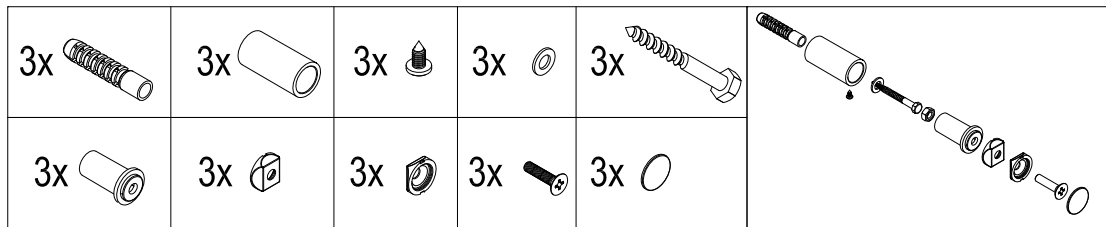
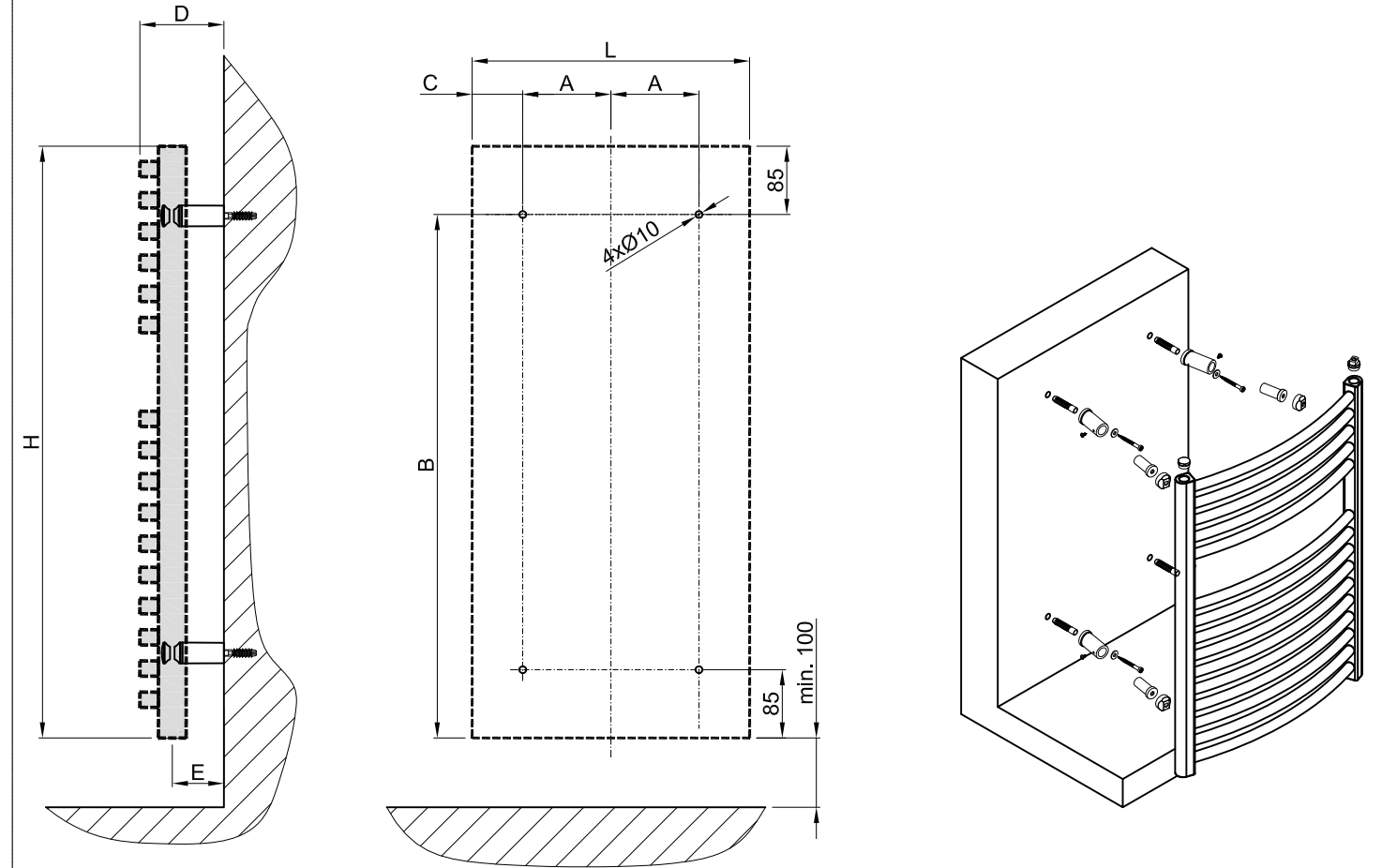


# GRANDE ROVNÝ



# GRANDE OBLÝ



H/L [mm]	A [mm]	B [mm]	C [mm]	D [mm]	E [mm]
650/450	145	565	80	88-98	73-83
650/600	220	565	80	88-98	73-83
650/750	295	565	80	88-98	73-83
970/450	145	885	80	88-98	73-83
970/600	220	885	80	88-98	73-83
970/750	295	885	80	88-98	73-83
1330/450	145	1245	80	88-98	73-83
1330/600	220	1245	80	88-98	73-83
1330/750	295	1245	80	88-98	73-83
1690/450	145	1605	80	88-98	73-83
1690/600	220	1605	80	88-98	73-83
1690/750	295	1605	80	88-98	73-83
1850/450	145	1765	80	88-98	73-83
1850/600	220	1765	80	88-98	73-83
1850/750	295	1765	80	88-98	73-83

H/L [mm]	A [mm]	B [mm]	C [mm]	D [mm]	E [mm]
650/450	145	565	75	108-118	66-76
650/600	220	565	138	112-122	41-51
650/750	295	565	75	126-136	67-77
970/450	145	885	75	108-118	66-76
970/600	220	885	138	112-122	41-51
970/750	295	885	75	126-136	67-77
1330/450	145	1245	75	108-118	66-76
1330/600	220	1245	138	112-122	41-51
1330/750	295	1245	75	126-136	67-77
1690/450	145	1605	75	108-118	66-76
1690/600	220	1605	138	112-122	41-51
1690/750	295	1605	75	126-136	67-77
1850/450	145	1765	75	108-118	66-76
1850/600	220	1765	138	112-122	41-51
1850/750	295	1765	75	126-136	67-77

